

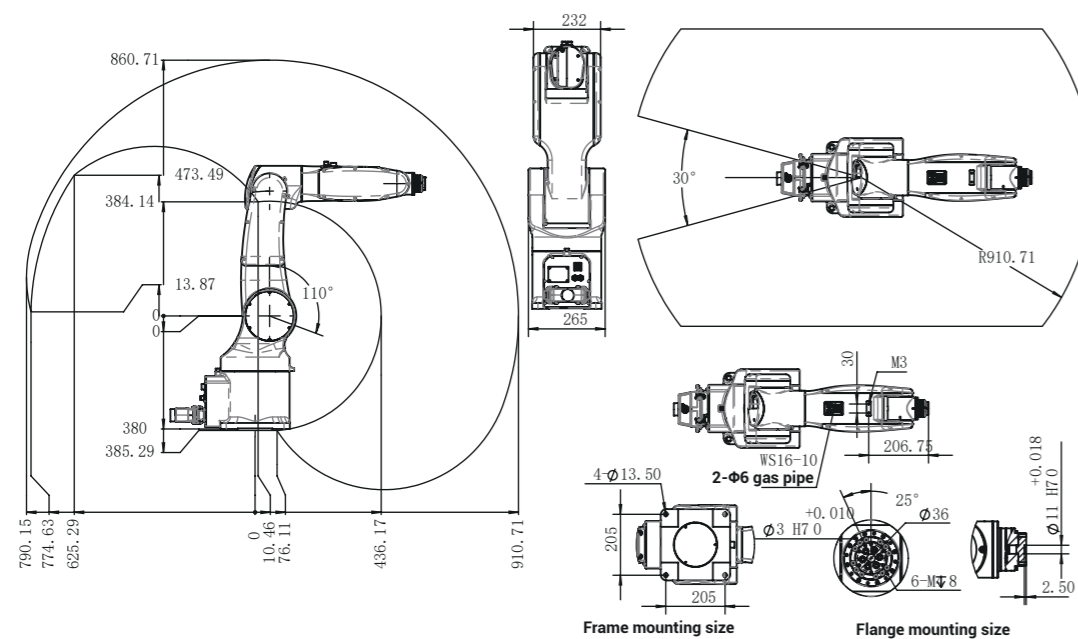
# TKB070S/E

Payload: 7kg  
Arm Reach: 910mm

Model	TKB070S/E
Payload	7kg
Max Working Radius	910mm
DOF	6 Axis
Body Weight	48kg
Reducer Brand	China Laifu Harmonic reducer Japan SHIMPO Harmonic reducer
Motor Brand	INOVANCE Brand, TAMAGAWA Encoder
Drive Brand	NOVANCE Brand
Rated Power	2.4kw
Max Speed	J1 300 °/s
	J2 300 °/s
	J3 300 °/s
	J4 360 °/s
	J5 576 °/s
	J6 576 °/s
Max Operation Area	J1 ±160°
	J2 -72-55°
	J3 -120°-55°
	J4 ±160°
	J5 ±110°
	J6 ±360°
Protective Specification	43
Repeat Positioning Accuracy	±0.05mm
Controller	TRC3C-A06
Working Temperature	0~45°



## Motion Range



# TKB1400S/E

Payload: 6kg  
Arm Reach: 1441.5mm

Model	TKB1400E	TKB1400SE
Payload	6kg	
Max Working Radius	1441.5mm	
DOF	6 Axis	
Body Weight	160kg	
Reducer Brand	Laifu Harmonic reducer for J4-J6 QinChuan RV reducer for J1-J3	SHIMPO Harmonic reducer for J4-J6 Nabtesco RV reducer for J1-J3
Motor Brand	INOVANCE Brand, TAMAGAWA Encoder	
Drive Brand	NOVANCE Brand	
Rated Power	2.5kw	
Max Speed	J1 149 °/s	149 °/s
	J2 149 °/s	149 °/s
	J3 149 °/s	149 °/s
	J4 229 °/s	229 °/s
	J5 180 °/s	180 °/s
	J6 270 °/s	270 °/s
Max Operation Area	J1 ±170°	±170°
	J2 153°-92°	153°-92°
	J3 80°-100°	80°-100°
	J4 ±140°	±140°
	J5 ±120°	±120°
	J6 ±360°	±360°
Protective Specification	43	
Repeat positioning accuracy	±0.06mm	
Controller	TRC3C-A06	
Working Temperature	0~45°	



## Motion Range

